

# AURORALIGHT

PROJECT: \_\_\_\_\_

SKU #: \_\_\_\_\_

TYPE: \_\_\_\_\_

## ARTEMIS

STW650211

The Artemis' timeless design enhances architecture and garden elements such as pergolas or gazebos. The Artemis provides design continuity when used in conjunction with our Bollard and Pendant series.

- Cree LED™ XLAMP® Extreme High Power (XHP)
- Thermally Integrated® w/ Copper Core Technology®
- Solid brass and copper construction
- Ideal for stairs, pathways and architecture

### CONFIGURATOR:

STW650211	LED	FINISH
	<input type="text"/>	<input type="text"/>
<b>( ) = Most common configuration</b>	<b>(2716) 2700K 16W</b> (3016) 3000K 16W	<b>(NAT) Natural Brass</b> (BLP) Bronze Living Patina (BLPX) Extra Dark BLP (NI) Nickel PVD

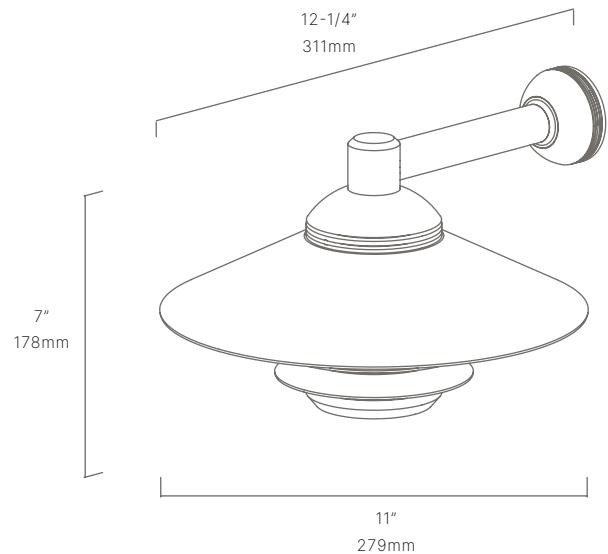


### AVAILABLE FINISHES:



FIXTURE DIMENSIONS	D11" x L12-1/4" x H7"
LIGHT SOURCE	Integrated LED
COLOR TEMPERATURES	2700K, 3000K
WATTAGES	16W
CRI (RA)	80 CRI
VOLTAGE	12V
DELIVERED LUMENS	330lm (3000K)
DIMMABLE	Yes, Dim to <10% via Transformer
DRIVER	Yes, 12V Integral Constant Current
TRANSFORMER	No, 12V AC/DC Transformer Required
MOUNT	Included 1/2" Adapter
FINISH	Included Natural
MATERIAL	Brass & Copper
WIRE LENGTH	24"
LOCATION	Exterior Wet
CERTIFICATIONS	UL, IP66, IP67, Dark Sky

\*For complete warranty terms, please visit: [www.auroralight.com/warranty/](http://www.auroralight.com/warranty/)



P. 760.931.2910

O. 2742 Loker Ave. W Carlsbad CA 92010

W. [www.auroralight.com](http://www.auroralight.com)

MADE IN USA  
WITH DOMESTIC & IMPORTED MATERIALS



# AURORALIGHT

PROJECT: \_\_\_\_\_

SKU #: \_\_\_\_\_

TYPE: \_\_\_\_\_

## ADD-ONS

### MOUNTS

MJB012103	Surface Mount J-Box
MCP183203	3-1/2" Cover Plate
MCP183304	4" Cover Plate
MCP183404	4-1/2" Cover Plate
MMC192105	4-1/2" Mount Canopy
MMC192305	4-1/2" Power Canopy

\*For complete details, please visit [auroralight.com/mounts/](http://auroralight.com/mounts/)

### MOUNTS



P. 760.931.2910

O. 2742 Loker Ave. W Carlsbad CA 92010

W. [www.auroralight.com](http://www.auroralight.com)

MADE IN USA  
WITH DOMESTIC & IMPORTED MATERIALS

